

# Assembly Instructions

## Apex Bookcase Shelves 4 Tier

- Before you begin to assemble your new piece of furniture, please check to ensure that all parts have been supplied.
- Follow instructions closely as deviation from them may void your warranty and present a possible safety risk.
- It is recommended that assembly is done on a soft surface like carpet to avoid any damage.
- If you experience any problems with your new purchase please phone our Customer Service Hotline 1800 807 416 (Customers outside Australia should contact their closest Freedom store.)

### Care Information

Periodically check and re-tighten any fasteners. Wipe down all surfaces weekly with a clean cloth. Do not clean any surfaces with harsh abrasives or chemicals.

### Hardware



8xPart A

8xPart B

16xPart C

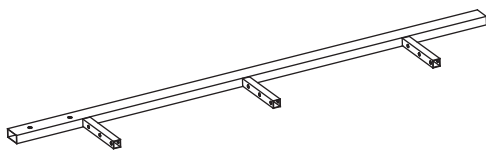
4xPart D

4xPart E

1xPart F

1xPart G

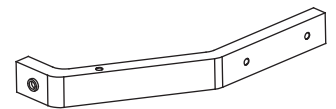
### Parts



2xPart H



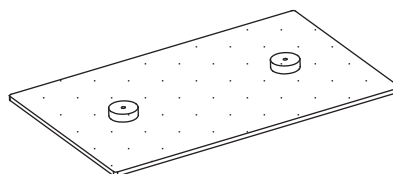
4xPart I



4xPart J



2xPart K

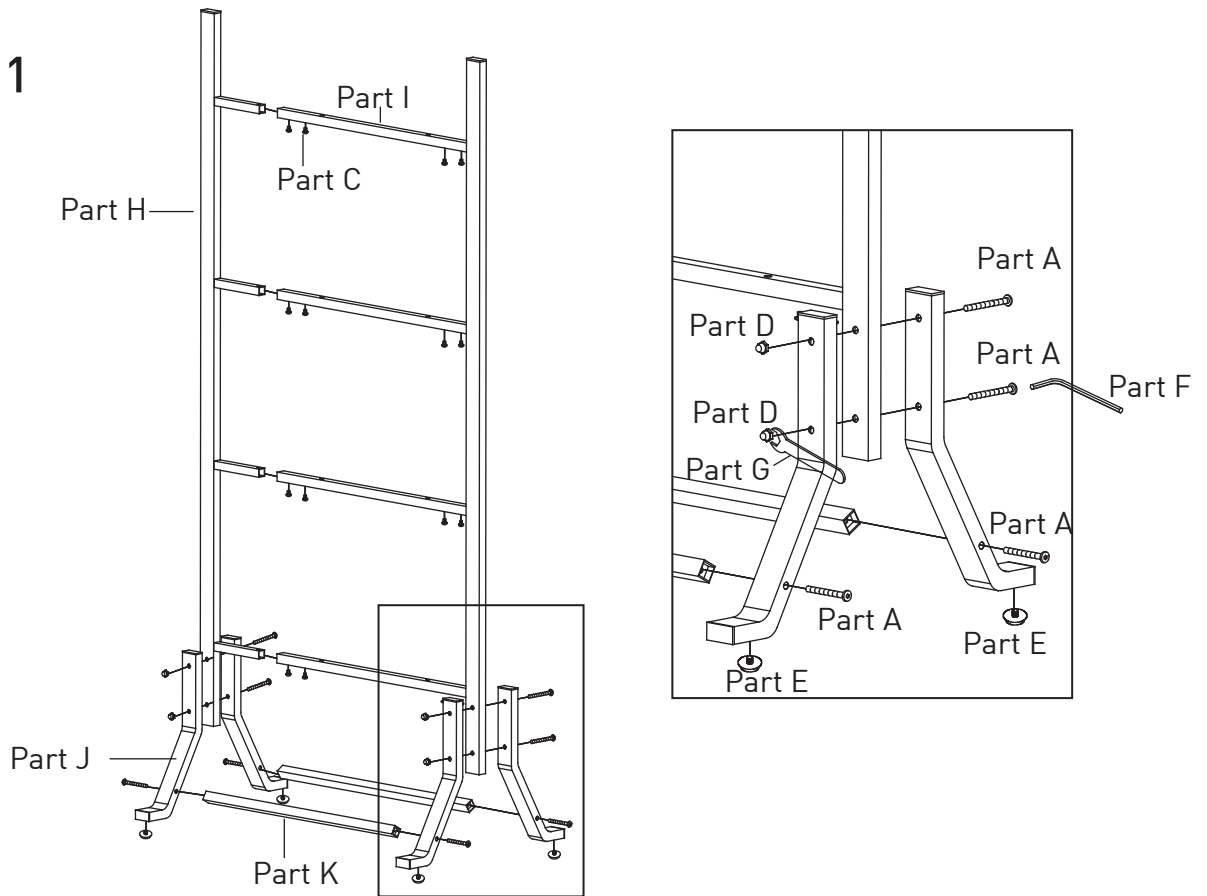


4xPart L

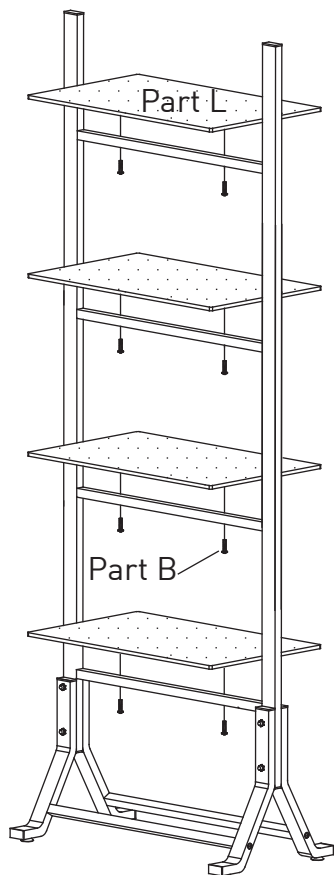
# Assembly Instructions

## Apex Bookcase Shelves 4 Tier

### Step:1



### Step:2



### Finished :

